

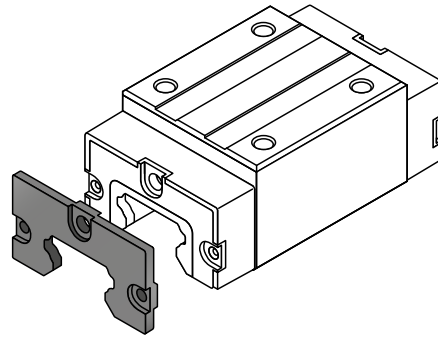
### 3.3.4 Low friction shield (S0)

- Material: PA6.6
- Size: 15 to 30
- Non-contact component

#### Mounting

The low friction shield (S0) replaces the standard front seal (S7).

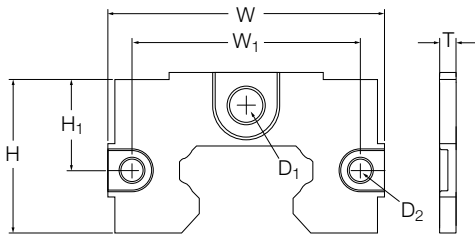
The dimensions for the mounting screws and the grease nipple remain unchanged.



Appearance can vary slightly depending on the size.

**NOTE:** A low friction shield (S0) combined with the additional front seal (S7) results in a sealed system with lower friction.

#### Dimensional drawing



Size	Part designation	Dimensions		W	W <sub>1</sub>	H	H <sub>1</sub>	T
		D <sub>1</sub>	D <sub>2</sub>					
15	LLTHZ 15 S0	3,4	3,4	31,3	25,8	18,3	11,2	2
20	LLTHZ 20 S0	5,4	3,4	42,4	35	24,1	13,8	2
25	LLTHZ 25 S0	5,4	4,4	46,4	39,6	27,1	15,7	2,5
30	LLTHZ 30 S0	6,3	3,4	57,2	50	31,3	18,1	4